

# 6280 Floor Closer

**ASSA ABLOY**  
Opening Solutions

Experience a safer  
and more open world

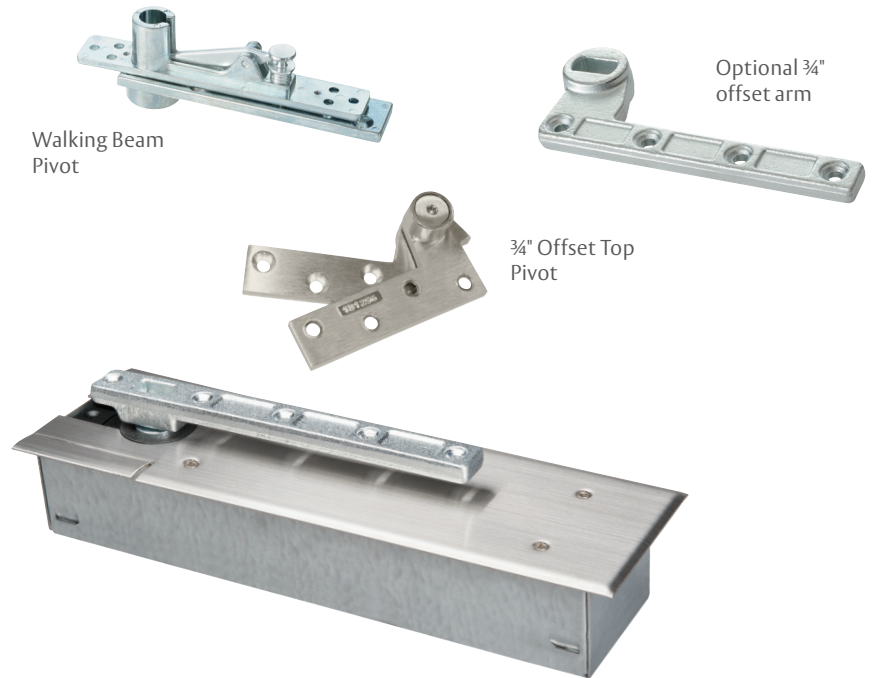


The ASSA ABLOY Group is the global leader in access solutions. Every day we help people feel safe, secure and experience a more open world.

**ASSA ABLOY**  
Opening Solutions

## Features

- Heavy-duty cast iron closer
- Adjustable spring size 3-6
- Double acting
- Center or offset hung
- Non-handed
- Separate closing, latching and backcheck/DA valves
- Closer adjustable within cement case
- All weather fluid
- Variable hold open position 80-175 degrees
- Variable delayed action



## Technical Specifications

### Materials:

- Cast iron closer body
- Stainless steel cover plate
- Zinc plated steel cement case

### System Includes:

- Closer body with cement case (FC-6280)
- Variable length 3° offset or straight spindles
- Optional 3/4" Offset Arm (FC-OFFARM)

### Pivot Options:

- Walking Beam Pivot (PV-WALKBEAM)
- Patch Fitting Surface Mounted Pivot (PF-SM-PIVOT)
- 3/4" Offset Top Pivot (PV-180)

### Approvals and Listings:

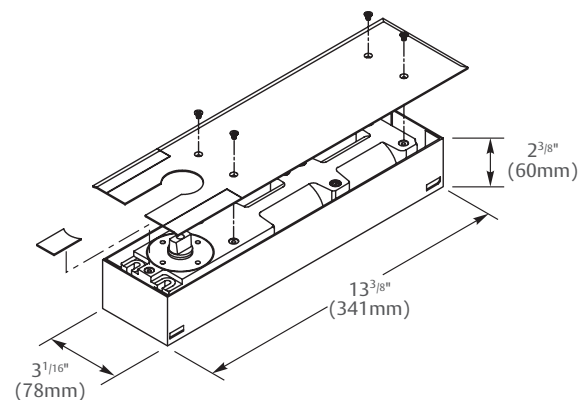
- ANSI/BHMA standard A156.4, Grade 1

### Door Specifications:

- Maximum door weight: 660 lbs.
- Maximum door width: interior 54", exterior 48"

### Finish Options:

- Satin Stainless Steel (US32D/630)
- Bright Stainless Steel (US32/629)
- Extra Dark Bronze Equivalent (314E)



ASSA ABLOY Opening Solutions  
Glass Solutions  
Rockwood, PA 15557  
www.assaabloyglass.us  
1 855 594 6989

ASSA ABLOY Opening Solutions  
Door Security Solutions Canada  
Vaughan, ON L4K 4T9  
www.assaabloydss.ca  
1 800 461 3007