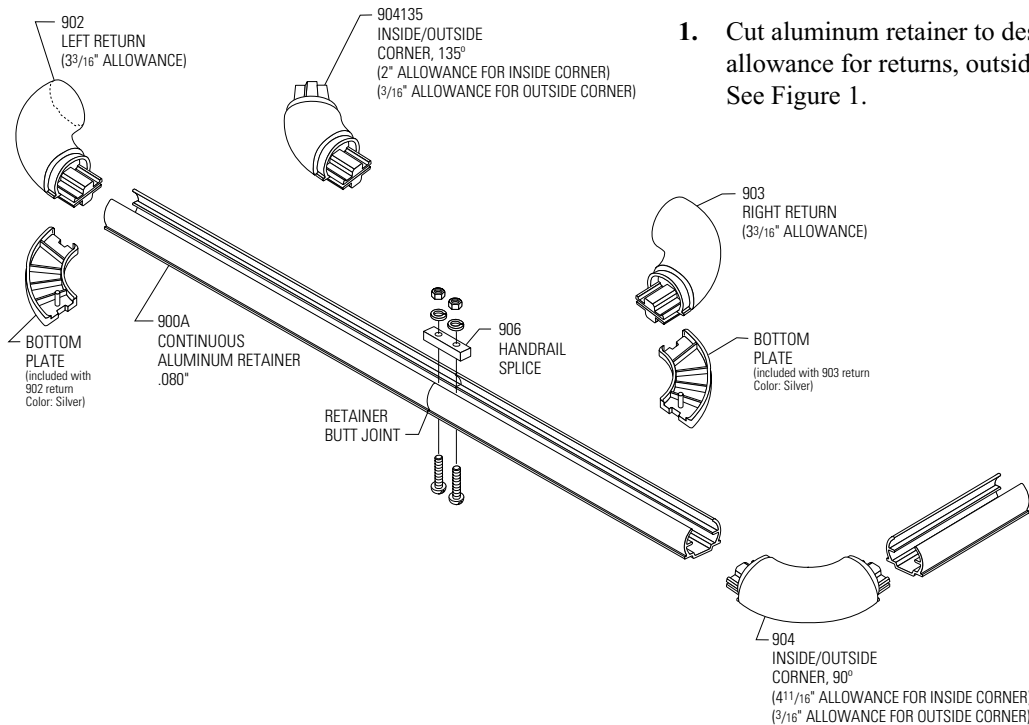


Installation Instructions

900 Handrail

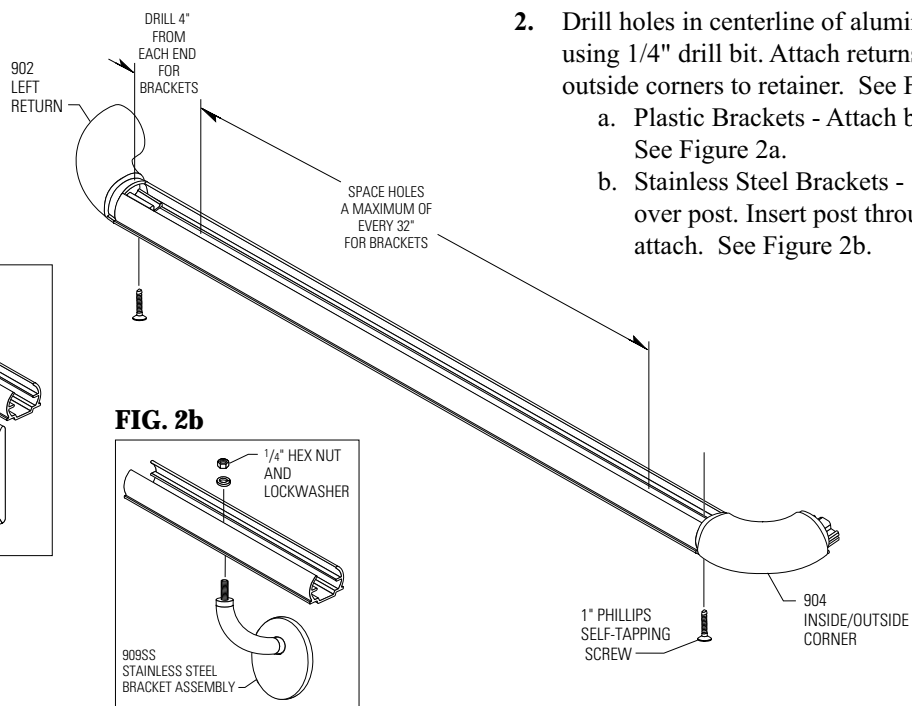
FIG. 1



Please read all instructions before installing handrail.

1. Cut aluminum retainer to desired length, leaving allowance for returns, outside corners and inside corners. See Figure 1.

FIG. 2

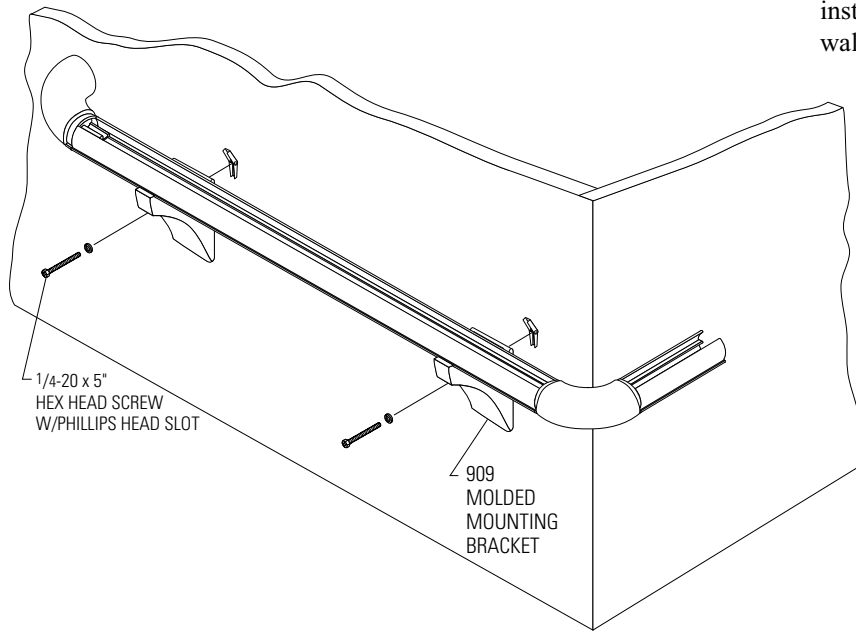


2. Drill holes in centerline of aluminum retainer for brackets using 1/4" drill bit. Attach returns, inside corners and outside corners to retainer. See Figure 2.
 - a. Plastic Brackets - Attach brackets to retainer. See Figure 2a.
 - b. Stainless Steel Brackets - Slip stainless steel cover over post. Insert post through retainer hole and attach. See Figure 2b.

Installation Instructions

900 Handrail

FIG. 3



- Position retainer against wall at desired height. Level and mark bracket holes on wall. Drill marked holes with 3/4" drill bit for toggle bolts (drywall installation) or 1/2" drill bit for lead anchor (concrete wall installation). Loosely attach mounting bolts to the brackets. Mount on wall, level retainer and tighten screws to secure. See Figure 3.
NOTE: For stainless steel bracket, snap cover over mounting base when retainer is secure. See Figure 3a.

FIG. 3a

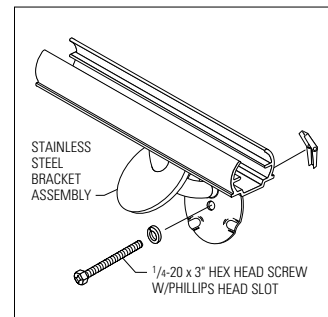
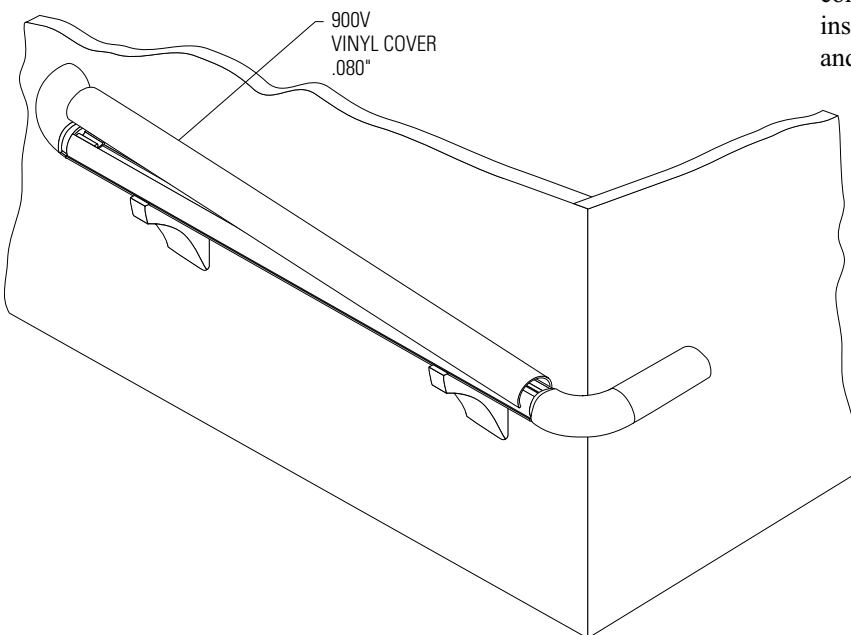


FIG. 4



- Cut vinyl cover to length between returns and/or corners. (Note: Trim factory edges square before installation). Position cover on retainer at one end and work to the other end by snapping the cover over the retainer. See Figure 4.
NOTE: Returns should be secured to the wall. Remove bottom plate and fasten installer supplied screws through hole located in the return. Re-attach bottom plate. See Figure 5.

FIG. 5

