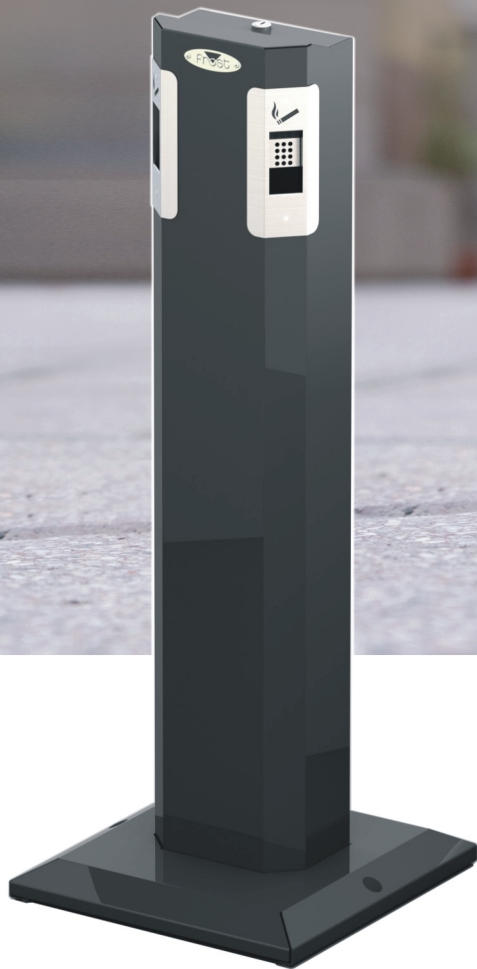


FROST PRODUCTS LTD.

create an impression

Code 920 Outdoor Ash Bin



Help people butt out
Manage entrance and smoking areas with style

Frost Site Furnishings:

Providing a unique look & strength for the commercial market



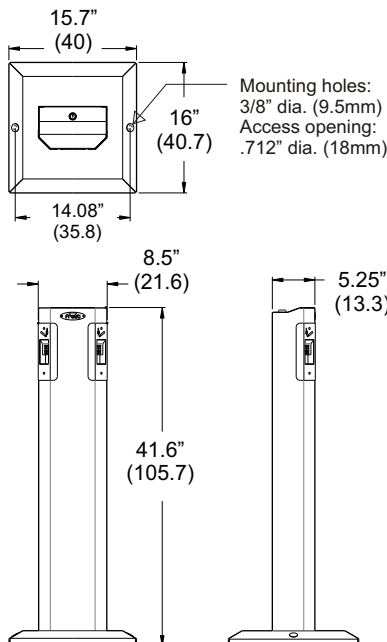
www.FrostSiteFurnishings.com
info@FrostProductsLtd.com



Smoking Station, free standing for designated areas

Code: 920

Free standing smoking station.



Specifications:

- Materials:**
- All steel construction
 - Main body is 18 ga.
 - Base 12 ga.
 - Inlet grill and frame, 18 ga. SS type 304.
- Finish:**
- RAL super durable TGIC-free polyester powder coating. Black with stainless steel.
- Features:**
- Tumbler keyed locked,
 - Easy access, large capacity receptacle.
 - 1,500-1,800 cigarettes. (1.6 gallons)
 - Receptacle dimensions: 3.4" x 6" x 18.75".
 - Unique design is part of a family of integrated products.
 - Concealed mounting screw locations for anchoring.
- Installation:**
- Easy installation in any location.
 - Tool provided to allow for easy assembly.
- Dimensions:**
- Post: 8.25" w x 41.5" h x 5.25" d
 - Base: 15.75" x 15.75"
- Warranty:**
- 1 year warranty against defective workmanship.

Shipping

Weight: 15 kg., (33 lbs.)

Packaging:

Extensive use of corrugated cardboard (99% by weight), minimum use of foam pads.



← Easy access to removable galvanized liner. 1.6 gallon capacity.

All stainless steel → Inlet opening and cigarette extinguishing screen.



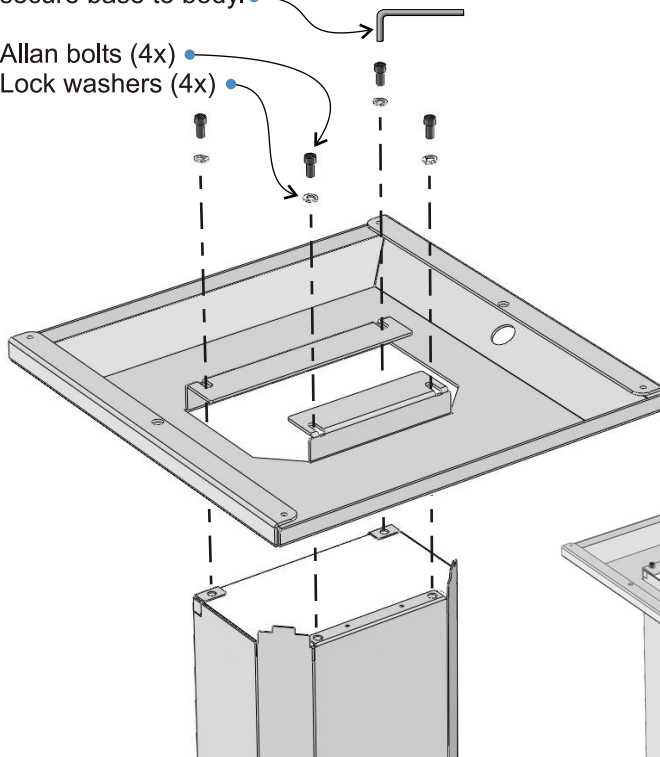


Site Furnishings: Smoking Station Installation Overview

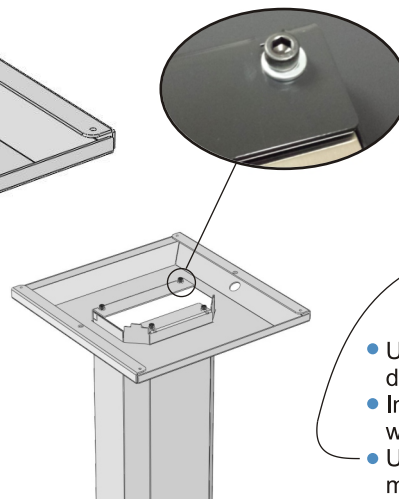
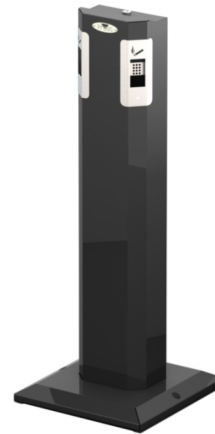
Code: 920
Smoking Station
Assembly and Location Mounting

Use Allan key and hardware provided to secure base to body.

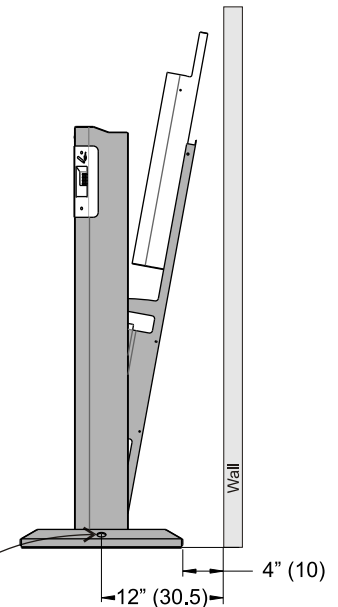
Allan bolts (4x)
Lock washers (4x)



Exploded View



Assembled View



Side View

- Use base of unit as template to determine mounting hole locations.
- Insure a minimum distance of 12" when mounting from wall.
- Use hole plugs provided to cover mounting hole openings.

WARNING!

- The Code 920 Smoking Station can only be used when fully assembled. Cigarettes can only be introduced through the front inlets. The unit must be locked at all times except for maintenance.
- The Code 920 Smoking Station is designed to receive cigarette butts ONLY, no other form of paper or other material should be inserted. Flammable material should NEVER be introduced into the unit. Flammable materials may create a fire hazard. The Code 920 Smoking Station is for outdoor use only. The smoking station cannot be used indoors. When mounting or designing your smoking area, position the smoking station so that pedestrian flow or other forms of traffic will not bump into or knock over the smoking station. Do not position the unit on or near flammable surfaces.
- Initially the unit must be inspected on a regular basis to determine the frequency of emptying and maintenance. Perform regular maintenance based on the frequency of use.