



# Specification Information

**Product Code:** 622

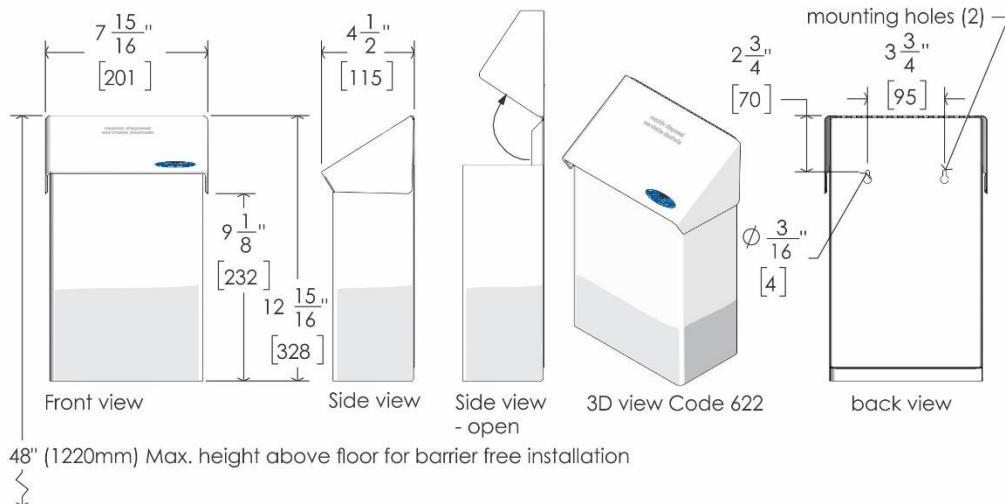
**Product Name:** Surface Mounted Feminine Product Disposal

**Individual Carton UPC:** 624622622008

**Individual Carton Shipping Dimensions:** 20.3cm W x 33.6cm H x 11.4cm D (8" W x 13.25" H x 4.5" D)

**Individual Carton Shipping Weight:** 1.8kg (4 lbs)

**Site Location:** Frost's 622 surface mounted napkin disposal is practical, durable, and easy to maintain. This economical surface mounted unit provides flexible mounting and ease of maintenance for partition panel systems or any type of wall construction. Typically, these units are used in schools, malls, hospitals, office buildings, recreational facilities, and other commercial properties. The ease of use, durable construction, and low maintenance of this product make it a popular choice.



## Features:

- Canadian made with 22 gauge stainless steel
- Pivoting self-closing lid
- French/English napkin disposal label is embossed on lid
- Pivoting door utilizes full length piano hinge
- Easy to clean and maintain

## Capacity:

- 6 litres (1.6 US gal., 1.3 Imp gal.)

## Materials:

- All welded stainless steel construction (22 gauge)
- Brushed stainless steel finish

## Product Dimensions:

- 20.1cm W x 32.8cm H x 11.4cm D (7.9" W x 12.9" H x 4.5" D)

## Product Weight:

- 1.7kg (3.75 lbs)

Frost Products Ltd

5276 John Lucas Drive  
Burlington, ON, Canada, L7L5Z9

(905) 332-5700  
1-800 667-5094

info@frostproductsltd.com  
www.frostproductsltd.com



## *Specification Information*

**Installation Guidelines:** Position cabinet 66cm (26") from floor. Mounting hardware is not provided, but the unit can be mounted using screws, with or without anchors, depending on the material it is being mounted onto. For barrier free mounting ensure that top of unit does not exceed 120 cm (48") above floor level. Mark mounting holes against the mounting surface using a pencil and level. Use a screwdriver or power drill to drill screws in the desired mounting surface and attach the disposal. Please note that it is recommended that all installations be conducted by a qualified tradesperson. Failure to do so may result in serious injury. Please read and follow any additional installation guidelines provided with the products.

**Maintenance:** Normal preventative maintenance and cleaning will keep Frost products functioning properly and may extend normal product life. Products should be wiped down with a damp soft cloth periodically. Approved stainless steel cleaner may be used to clean scuffs or fingerprints on stainless surfaces. Do not use harsh detergents or chemical cleaners. For general dirt and blemishes on painted steel or plastic use warm water and mild soap, or a general mild cleaning solution. When using any type of cleaning solution, spray onto a discrete area to test before full usage. After the cleaning agent is applied, wipe off with a clean soft cloth or sponge. For stainless steel please do not spray with any product containing bleach, acids, or chlorides, which can be found in many cleaning products such as toilet bowl cleaners. Use of these cleaning solutions may cause discolouration and if used for prolonged periods of time they can eat away at points in the stainless steel. If discolouration occurs, the use of an approved stainless steel cleaner and a firmer scrub pad, such as a Scotch Brite Pad #7447, may remove the markings. Wipe away any debris from the area and gently rub with the pad. Then spray the area with a stainless steel cleaner/polish and rinse and dry. Always wipe with the grain direction for stainless steel products. If a cleaning agent has begun to eat away at the steel on a unit then the unit will likely need to be replaced. The stainless steel that Frost Products uses is of high quality and stainless steel is resistant to rust. However, discolouration that appears to be rust can be caused by cleaning solutions and soaps mentioned above. It is important to discontinue use of any cleaning agent or soap if discolouration begins to occur. Clean off the discolouration as quickly as possible to avoid any permanent damage to the unit. Maintenance staff should be taught how to recognize the signs that they are not using the appropriate cleaning products and how to correctly maintain stainless steel items.

**Warranty:** If any product or part proves to be defective within 12 months from date of shipment from the factory it will be repaired or replaced without any charge including freight costs when authorized. Costs resulting from the installation or removal of defective products are not covered under this warranty. Discolouration to stainless steel parts resulting from exposure to harsh environmental and / or chemicals are not considered to be defects in workmanship or material and are not covered under warranty.



# Specification Information

**Product Code:** 620

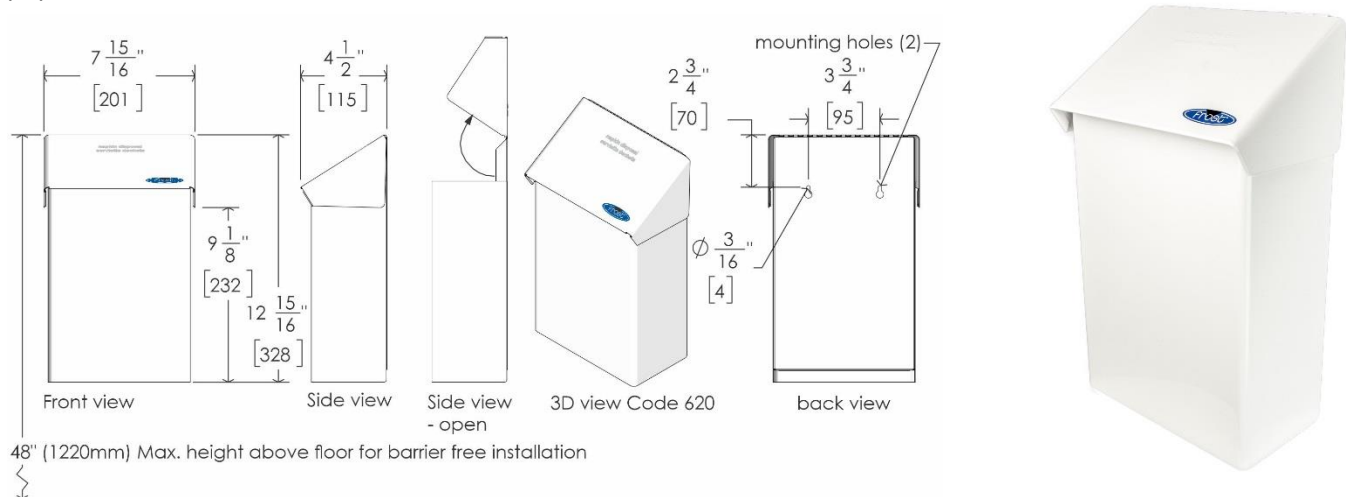
**Product Name:** Surface Mounted Napkin Disposal

**Individual Carton UPC:** 624622620004

**Individual Carton Shipping Dimensions:** 34.3cm W x 12.7cm H x 21.6cm D (13.5" W x 5" H x 8.5" D)

**Individual Carton Shipping Weight:** 1.8kg (4 lbs)

**Site Location:** Frost 620 surface mounted napkin disposal is practical, durable, and easy to maintain. This economical surface mounted unit provides flexible mounting and ease of maintenance for partition panel systems or any type of wall construction. Typically, these units are used in schools, malls, hospitals, office buildings, recreational facilities, and other commercial properties. The ease of use, durable construction, and low maintenance of this product make it a popular choice.



## Features:

- Canadian made with heavy duty 22 gauge steel
- Pivoting self-closing lid
- French/English napkin disposal label is embossed on lid
- Pivoting door utilizes full length piano hinge
- Easy to clean and maintain

## Capacity:

- 6 litres (1.6 US gal., 1.3 Imp gal.)

## Materials:

- All welded steel construction (22 gauge)
- White epoxy powder coated finish

## Product Dimensions:

- 20.1cm W x 32.8cm H x 11.4cm D (7.9" W x 12.9" H x 4.5" D)

## Product Weight:

- 1.7kg (3.75 lbs)

Frost Products Ltd

5276 John Lucas Drive  
Burlington, ON, Canada, L7L5Z9

(905) 332-5700  
1-800 667-5094

info@frostproductsltd.com  
www.frostproductsltd.com



## *Specification Information*

**Installation Guidelines:** Position cabinet 66cm (26") from floor. Mounting hardware is not provided, but the unit can be mounted using screws, with or without anchors, depending on the material it is being mounted onto. For barrier free mounting ensure that top of unit does not exceed 120 cm (48") above floor level. Mark mounting holes against the mounting surface using a pencil and level. Use a screwdriver or power drill to drill screws in the desired mounting surface and attach the disposal. Please note that it is recommended that all installations be conducted by a qualified tradesperson. Failure to do so may result in serious injury. Please read and follow any additional installation guidelines provided with the products.

**Maintenance:** Normal preventative maintenance and cleaning will keep Frost products functioning properly and may extend normal product life. Products should be wiped down with a damp soft cloth periodically. Approved stainless steel cleaner may be used to clean scuffs or fingerprints on stainless surfaces. Do not use harsh detergents or chemical cleaners. For general dirt and blemishes on painted steel or plastic use warm water and mild soap, or a general mild cleaning solution. When using any type of cleaning solution, spray onto a discrete area to test before full usage. After the cleaning agent is applied, wipe off with a clean soft cloth or sponge.

**Warranty:** If any product or part proves to be defective within 12 months from date of shipment from the factory it will be repaired or replaced without any charge including freight costs when authorized. Costs resulting from the installation or removal of defective products are not covered under this warranty. Discolouration to stainless steel parts resulting from exposure to harsh environmental and / or chemicals are not considered to be defects in workmanship or material and are not covered under warranty.