

# Silhouette/Series E



## Specifications—Silhouette/Series E

\_\_\_\_\_ projection screens, size \_\_\_\_\_h. x \_\_\_\_\_w., wall or ceiling mounting, by Draper, Inc., Spiceland, Indiana. Case finished (grey/white/black), free of exposed fasteners. Back and top of extruded aluminum in L-shaped section; front in a contoured shape. Endcaps die-cast, of rounded design, flush with case contour. Front section easily removable for access to motor and viewing surface. Viewing surface of (fiberglass matt white/glass beaded/High Contrast Grey/optional AT1200/optional AT Grey), flame and mildew resistant. Bottom of viewing surface enclosed in dowel; dowel to disappear inside case when retracted. Note: All viewing surfaces will be seamless. Electrically operated 110-120 V. AC, 60 Hz. 3-wire motor mounted inside screen roller, instantly reversible, lifetime lubricated, with thermal overload protector and electric brake. Preset, accessible limit switches. Roller of 2" dia. metal. 3-position control switch (or switches—specify number) to stop or reverse screen at any point. Switch(es) furnished with cover plate. Entire unit certified by Underwriters' Laboratories, Inc., for the U.S. and Canada. Entire unit patented by Draper, Inc. (U.S. Patent Nos. 6,111,694 and 5,296,964).

Downloadable 3-part specifications are available at [www.draperinc.com](http://www.draperinc.com).

### Please Mark Appropriate Selections

#### Select Viewing Surface:

- Fiberglass Matt White
- Fiberglass Glass Beaded
- High Contrast Grey
- Optional AT1200
- Optional AT Grey

#### Select Case Color:

- Grey
- Black
- White

#### Select Mounting Method:

- Wall ("Z" Clips supplied)
- Ceiling (Ceiling bracket supplied)
- Extended Wall (Must be specified now and at time of order)
  - 6" extension brackets
  - 12" extension brackets

#### Optional Accessories:

- Extra Drop
  - Select white or black \_\_\_\_\_
  - Length of extra drop required \_\_\_\_\_
- Black Masking Borders (optional on AV format, standard on all others)

#### Control Options:

**Please Note: this Draper motorized screen standardly comes with one 110v-120v 3-position wall switch. For other control options, select from below:**

- \_\_\_\_\_ Number of control stations required. Stations operate independently.
  - 110 Volt 3-Position Switch
  - 24 Volt 3-Button Switch
    - Factory install low voltage control module inside case at motor end
    - Do not factory install low voltage control module
      - Radio Frequency Remote Control (only with 24V)
      - Infrared Remote Control (only with 24V)
- Key Operated Switch
  - Power Supply Switch (On-off)
  - 3-Position Control
  - 3-Position Control with Hinged Locking Coverplate
- Video Interface Control
  - VIC-115
  - VIC-12       Factory install inside case at motor end
  - VIC-6         Do not factory install VIC module



Electric projection screen with revolutionary case design

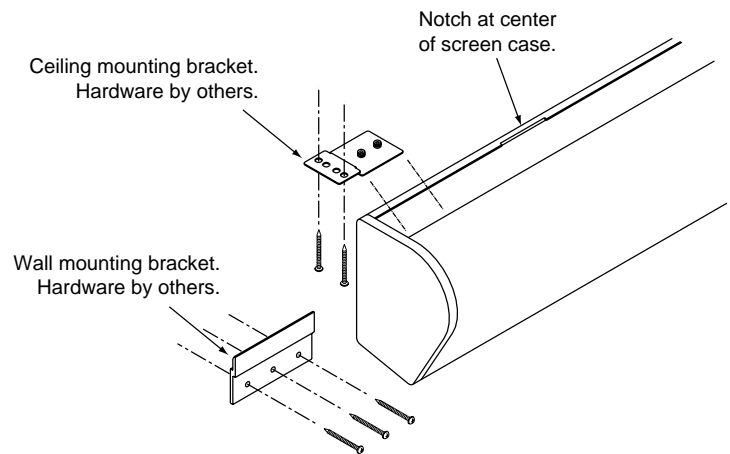


## Dimensions & Data

| Size<br>H x W                   | *Case<br>Length | Net Wt.<br>(lbs.) | Qty.            |                   |      |
|---------------------------------|-----------------|-------------------|-----------------|-------------------|------|
| <b>1:1 AV Format</b>            |                 |                   |                 |                   |      |
| 50" x 50"                       | 5'1½"           | 27                |                 |                   |      |
| 60" x 60"                       | 5'11½"          | 29                |                 |                   |      |
| 70" x 70"                       | 6'9½"           | 34                |                 |                   |      |
| 84" x 84"                       | 7'11½"          | 40                |                 |                   |      |
| 72" x 96"                       | 9'              | 48                |                 |                   |      |
| 96" x 96"                       | 9'              | 53                |                 |                   |      |
| Nom.<br>Diag.                   | Viewing<br>Area | Overall<br>Size   | *Case<br>Length | Net Wt.<br>(lbs.) | Qty. |
| <b>4:3 NTSC Video Format</b>    |                 |                   |                 |                   |      |
| 6'                              | 42½" x 56½"     | 46½" x 59½"       | 5'11½"          | 26                |      |
| 7'                              | 50" x 66½"      | 53½" x 69½"       | 6'9½"           | 31                |      |
| 100"                            | 60" x 80"       | 64" x 83½"        | 7'11½"          | 37                |      |
| 10'                             | 69" x 92"       | 73" x 96"         | 9'              | 45                |      |
| <b>16:9 HDTV Format</b>         |                 |                   |                 |                   |      |
| 92"                             | 45" x 80"       | 49" x 83½"        | 7'11½"          | 37                |      |
| 106"                            | 52" x 92"       | 56" x 96"         | 9'              | 45                |      |
| <b>1.85:1 WideScreen Format</b> |                 |                   |                 |                   |      |
| 99"                             | 47" x 87"       | 51" x 90"         | 8'6"            | 38                |      |
| 108"                            | 50" x 92"       | 54" x 96"         | 9'              | 45                |      |
| <b>Custom Size</b>              |                 |                   |                 |                   |      |

\*Factory installed LVC-III, VIC-115, VIC-12, or VIC-6 inside case will increase case length. Specify at time of order and request dimension. Contact DRAPER if dimension is critical.

## Methods of Installation



PROJECT: \_\_\_\_\_

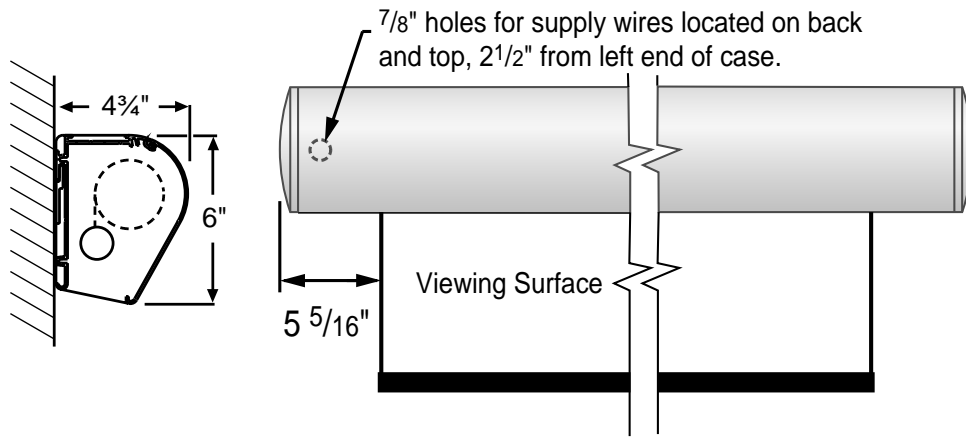
ARCHITECT: \_\_\_\_\_

CONTRACTOR: \_\_\_\_\_

SUPPLIER: \_\_\_\_\_

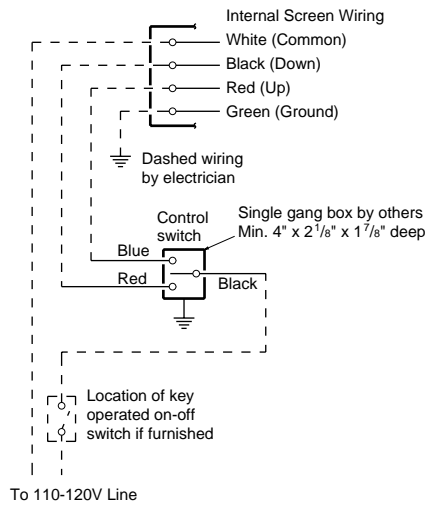
DATE: \_\_\_\_\_ REVISED: \_\_\_\_\_

## Case Dimensions

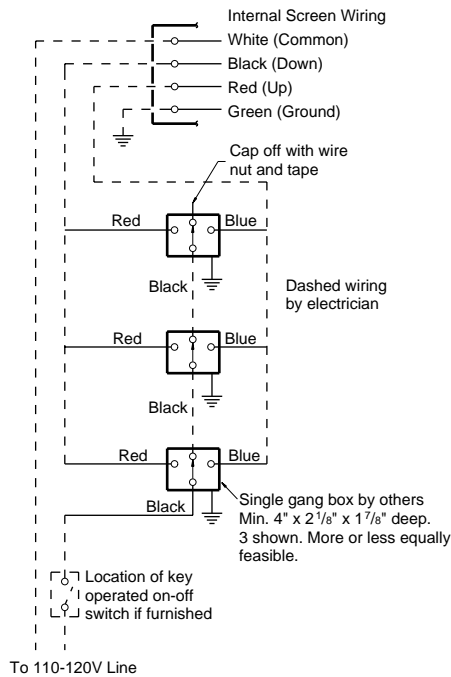


## Wiring Diagrams

### Single Station Control



### Multiple Station Control



## Low Voltage (& Wireless) Control Wiring Diagram

