

# Silhouette

The Shape of the Future

Available with or without  
Tab Tensioning System



We changed the appearance of projection screens with a revolutionary case design. The SILHOUETTE's case conceals everything:

- Mounting fixtures
- Fasteners
- Electrical connections
- Optional controls
- Viewing surface retracts completely inside case

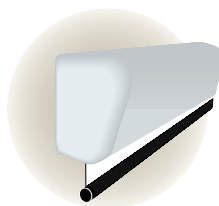
The innovative case installs cleanly, and the front fascia is easily removable for access to the inside components. Its slender fascia and endcaps are made of gently radiused aluminum and present a strikingly modern appearance. There is no need to conceal the SILHOUETTE—it will complement the other high tech equipment in your room.

**Silhouette/Series V**—Features DRAPER'S TAB TENSIONING SYSTEM for a perfectly flat projection surface. Choose M1300, M2500, HiDEF GREY or CINEFLEX rear projection viewing surface.

**Silhouette/Series E**—Your choice of a conventional viewing surface: fiberglass matt white, glass beaded or acoustically transparent AT1200.

**Silhouette/Series M**—Your choice of a conventional viewing surface: fiberglass matt white or glass beaded.

**Silhouette/Series C**—Features DRAPER'S TAB TENSIONING SYSTEM for a perfectly flat projection surface. Choose M1300, M2500, HiDEF GREY or CINEFLEX rear projection viewing surface.



## System Options

- **Extra Drop**—Up to 8' overall height, either white or black (white is standard for SERIES V in all formats and for SERIES E in AV format; black is standard for SERIES E in all other formats). Extra drop will increase the overall length of the case of a SERIES V.
- **Black Masking Borders**—Borders are optional for SERIES E in AV format. Borders are standard for SERIES E in all other formats and for all SERIES V screens.
- **Control Options**—Refer to page 5. Controls may be built into case and will increase the overall length of the case.
- **Case Finishes**—Choose a dove grey (standard), black or white lightly textured finish. Dowels on all Series retract completely inside case.



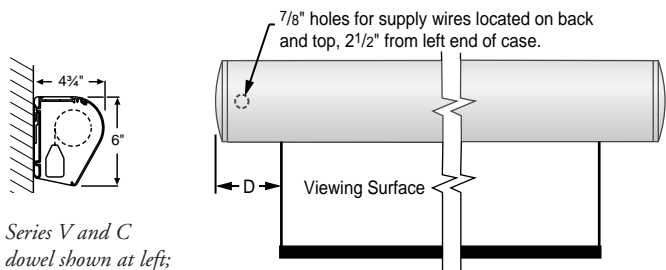
## Dimensions & Data—Silhouette Series

AV Format	H x W	Series M		Series E		Series V		Series C	
		Case Length	Net Wt. (lbs.)	Case Length*	Net Wt. (lbs.)	Case Length*	Net Wt. (lbs.)	Case Length*	Net Wt. (lbs.)
	50" x 50"	4'4½"	18	5'1½"	27	6'¾"	33	6'¾"	30
	60" x 60"	5'2½"	21	5'11½"	29	6'11¾"	35	6'11¾"	32
	70" x 70"	6'½"	25	6'9½"	34	7'9¾"	40	7'9¾"	37
	84" x 84"	7'2½"	28	7'11½"	40	9'1"	46	9'1"	43
	6' x 8'	8'3"	29	9'	29	9'11¾"	57	9'11¾"	54
	8' x 8'	8'3"	33	9'	33	10'2½"	59	10'2½"	56

NTSC Video Format	Nominal Diagonal	Viewing Area (E/M)	Series M		Series E		Series V		Series C		
			Case Length	Net Wt. (lbs.)	Case Length*	Net Wt. (lbs.)	Viewing Area (V/C)	Case Length*	Net Wt. (lbs.)	Case Length*	Net Wt. (lbs.)
	6'	42½" x 56½"	5'2½"	20	5'11½"	26	42½" x 56½"	6'7¼"	39	6'7¼"	36
	7'	50" x 66½"	6'½"	24	6'9½"	31	50" x 66½"	7'5¼"	43	7'5¼"	40
	100"	60" x 80"	7'2½"	25	7'11½"	37	60" x 80"	8'7¾"	47	8'7¾"	44
	10'	69" x 92"	8'3"	29	9'	45	72" x 96"	9'11¾"	54	9'11¾"	51

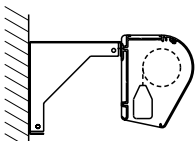
\*Optional built-in controls will increase length of case. In Series V and C, extra drop also increases case length.

## Case Construction/Method of Installation

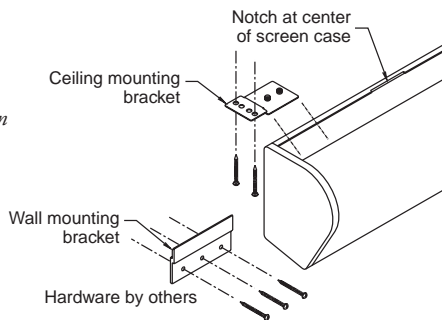


Series V and C  
dowel shown at left;  
Series E and M  
surface and dowel  
shown at right.  
Both dowels retract  
completely inside  
case.

Silhouette	Operation	D
Series E	Motorized	5 5/16"
Series M	Spring	1 1/2"
Series V	Motorized, Tab Tensioned	Varies
Series C	Crank, Tab Tensioned	Varies



Mounting on Extension  
Wall Brackets



## Specifications—Silhouette

\_\_\_\_ Projection screens, size \_\_\_\_ h. x \_\_\_\_ w., wall or ceiling mounting. Case finished grey (standard), white or black, free of exposed fasteners. Back and top of extruded aluminum in L-shaped section; front in a contoured shape. Endcaps die-cast, of rounded design, flush with case contour. Front section easily removable for access to operator and viewing surface.

**Silhouette/Series V:** Viewing surface of (M1300/M2500/HiDEF GREY/optional CINEFLEX), with black masking borders. Each side of surface to have tab-guide cable system for even lateral tension and flat surface. Bottom of surface supported and masked by black extruded aluminum dowel weighted to apply proper vertical tension. Viewing surface mildew resistant. Bottom of viewing surface enclosed in dowel; dowel to disappear inside case when retracted.

**Silhouette/Series E:** Viewing surface of (fiberglass matt white/glass beaded/optional AT1200), flame and mildew resistant. Bottom of viewing surface enclosed in dowel; dowel to disappear inside case when retracted. 3-position control switch (or switches-specify number) to stop or reverse screen at any point. Switch(es) furnished with cover plate.

Electrically operated 110-120V. AC, 60 Hz. 3-wire motor mounted inside screen roller, instantly reversible, lifetime lubricated, with thermal overload protector and electric brake. Preset, accessible limit switches. Roller of 2" dia. metal. 3-position control switch (or switches-specify number) to stop or reverse screen at any point. Switch(es) furnished with cover plate. Large screens may require one horizontal seam. Entire unit certified by Underwriters' Laboratories, Inc., for the U.S. and Canada.

**Silhouette/Series M:** Viewing surface flame and mildew resistant. Viewing surface of (fiberglass matt white/glass beaded), mounted to one-piece rigid steel roller. Bottom of viewing surface enclosed in dowel; dowel to disappear inside case when retracted.

**Silhouette/Series C:** Viewing surface mildew resistant. Bottom of viewing surface enclosed in dowel; dowel to disappear inside case when retracted. Viewing surface (M1300/M2500/HiDEF GREY/optional CINEFLEX), with black masking borders. Each side of surface to have tab-guide cable system for even lateral tension and flat surface. Bottom of surface supported and masked by black extruded aluminum dowel weighted to apply proper vertical tension. Operated by detachable polished aluminum crank.

Entire unit patented by DRAPER, INC. U.S. Patent No. 6,111,694 and 5,296,964



Carmel Public Library, Carmel, IN

## Premier/Series C

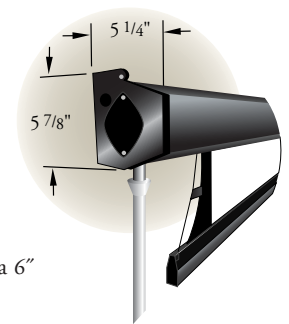
### Crank-Operated Screen with Tab Tensioning System



PREMIER/SERIES C—the manually operated screen with a perfectly flat viewing surface. Its TAB TENSIONING SYSTEM delivers a perfect picture quality and meets the exacting requirements of large-screen video and data projection. Operated by a slim, polished aluminum crank, which may be detached for storage. Steel case and special tensioning dowel are finished in flat black. Your choice of M1300, M2500, HiDEF GREY or CINEFLEX rear projection viewing surface.

### System Options

- **Extra Drop**—Up to 12' overall height, either white or black (white is standard). Extra drop will increase the overall length of the case.
- **Black Masking Borders**—Standard for all formats.
- **Projected Mounting Brackets**—provides a 6" clearance.
- **Control Options**—Detachable crank is standard.



### Dimensions & Data

The PREMIER/SERIES C is available in all the same sizes and viewing surfaces as the PREMIER (see page 17). Additionally, the case dimensions and installation parameters are the same as those shown in the drawings on page 17.

## Specifications—Premier/Series C

\_\_\_\_ Projection screens, size \_\_\_\_ h. x \_\_\_\_ w., 3" dia. metal roller, mounted on rubber insulated supports.

Viewing surface of (M1300/M2500/HiDEF GREY/optional CINEFLEX), mildew resistant, with black masking borders. Each side of surface to have tab-guide cable system to maintain even lateral tension and hold surface flat. Bottom of surface supported and masked by black, extruded aluminum dowel weighted to apply proper vertical tension.

Case of one piece 22 ga. steel with flat back design and embossed, baked-on black plastisol finish. Endcaps of 12 ga. black epoxy powdercoat finish steel fully enclosing roller ends and forming universal (wall or suspended) hanging brackets. Operated by detachable polished aluminum crank.