

Luma

Spring Roller Operated
Projection Screen

by **DRAPER**

Specifications—Luma

_____ projection screens, size _____ h. x _____ w., wall/ceiling mounting. Case of 22 ga. steel, flat back design, with baked-on plastisol finish in (dove grey/white/black). Friction-free closure. Viewing surface of (fiberglass matt white/glass beaded/Optional High Contrast Grey), flame and mildew resistant. Note: Matt white and glass beaded surfaces up to 10' high will be seamless. Endcaps finished to match case, with integral roller brackets, concealing roller ends. With matching universal mounting brackets. Fabric securely attached to one-piece rigid steel roller. Bottom of viewing surface securely mounted on tubular steel slat, with ends protected by vinyl caps. Saddle and pull attached to slat by screws.

Please Check All Appropriate Selections

Select Case Color:

- Dove Grey (standard)
- White
- Black

Select Viewing Surface:

- Fiberglass Matt White
- Fiberglass Glass Beaded
- Optional High Contrast Grey

Optional Accessories:

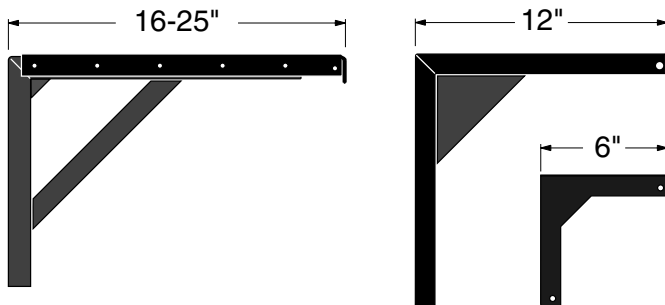
- Mounting Brackets (Select)
 - 16"-25" Adjustable Brackets
 - 12" Non-Adjustable Brackets
 - 6" Non-Adjustable Brackets
- Bracket Color
 - Black (standard)
 - White
- T-Bar Twist Clips (Not recommended for screens over 70" x 70")
- Black Masking Borders (1½" wide on sizes through 70" x 70"; 2" wide on larger sizes)
- Wall Tie-Back
- Extra Drop

Length of extra drop required _____

(Total screen height cannot exceed 8')

Select white or black _____

(White is standard for AV format screens; black on all others)



16"-25" Adjustable And 6" & 12" Nonadjustable Brackets for Chalkboard Clearance and/or Keystone Elimination

DRAPER

411 S. Pearl St., Spiceland, IN 47385 USA ■ 765-987-7999 ■ fax 765-987-7142
e-mail draper@draperinc.com ■ www.draperinc.com

Copyright © 2003 Draper Inc.

Form Luma_Sub03

Printed in U.S.A.

Dimensions & Data

Size H x W	Case Length*	Net Wt. (lbs.)	Qty.		
AV Format					
50" x 50"	53"	9			
60" x 60"	63"	12			
70" x 70"	73"	15			
84" x 84"	87"	22			
72" x 96"	99"	23			
96" x 96"	99"	24			
Nominal Diagonal	Viewing Area	Overall Size	Case Length*	Net Wt. (lbs.)	Qty.
NTSC Video Format (4:3)					
6'	42½" x 56½"	46½" x 59½"	63"	12	
7'	50" x 66½"	53½" x 69½"	73"	15	
100"	60" x 80"	64" x 83½"	87"	22	
10'	69" x 92"	73" x 96"	99s"	23	
HDTV Format (16:9)					
92"	45" x 80"	49" x 83½"	87"	22	
106"	52" x 92"	56" x 96"	99"	23	
WideScreen Format (1.85:1)					
99"	47" x 87"	51" x 90"	93"	20	
108"	50" x 92"	54" x 96"	99"	23	

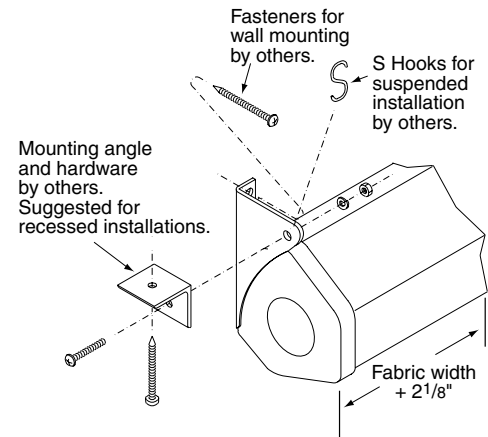
Custom Size

Case height—3¼"

Case width—3¼"

Hanging brackets extend ½" in height above screen case.

Methods Of Installation (Hardware by others)



PROJECT: _____

ARCHITECT: _____

CONTRACTOR: _____

SUPPLIER: _____

DATE: _____ REVISED: _____