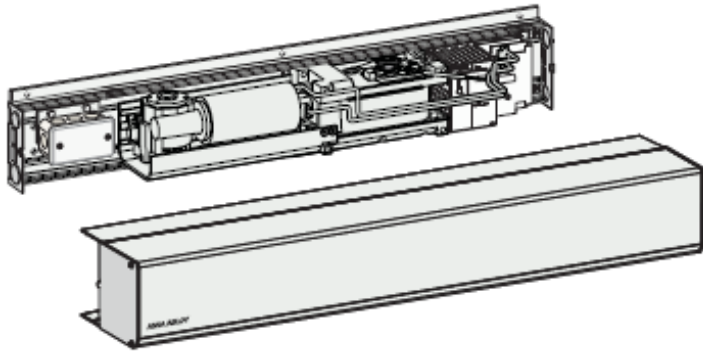


# Technical Data Sheet

## ASSA ABLOY SW100

**ASSA ABLOY**  
Entrance Systems

Experience a safer  
and more open world



### SW100 Swing Door Operator

The ASSA ABLOY SW100 is an automatic swing door operator developed to facilitate entrances to buildings and within buildings through swing doors. The SW100 is a low-energy operator using a DC motor and a gear-reduction system to drive an arm system, which opens the door. It is recommended to be installed on internal swing doors. The ASSA ABLOY SW100 is the ideal low energy operator for applications that need reliable, durable entrances with the strength to withstand continuous usage. For universities, schools, and commercial buildings, the ASSA ABLOY SW100 is a dependable, convenient door that meets the gentle push forces of low energy codes and manual use. The operator is connected to the door leaf with different arm systems. The ASSA ABLOY SW100 is designed to offer continuous use, a high degree of safety and maximum performance over the lifetime of your entrance.

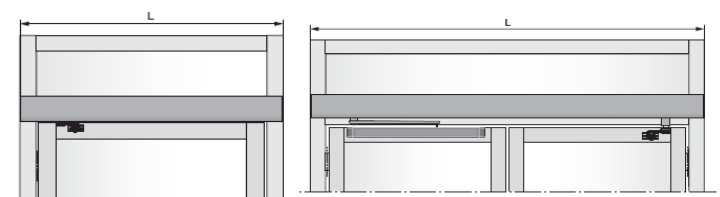
### Operator Features and Performance

- Operator: electro-mechanical, non-handed operator, 24 volt, 5/16 hp motor
- ANSI Compliance: ANSI A156.19
- Door Weight: 100-200lbs
- Door Size: 36-48" (consult for wider sizes)
- Manual Push Force: adjustable from 5 lbf – 15 lbf
- Hold Open Time: adjustable from 1.5 seconds to 30 seconds
- Low power consumption – average electrical power required to open a 36" (914 mm) door is 25W resulting in lower running costs.
- Stack Pressure Compensation: the electronic control allows for increases of forces to overcome mild stack pressures while automatically compensating to power manual push forces to comply with ANSI A156.19 when the door is used in manual mode.
- Power assist open – torque-controlled feature that can be adjusted to lower the open forces when the operator is used manually.



- Latch Retry: if an attempt to close the door is unsuccessful, the operator will reverse 10 degrees and reclose in an attempt to successfully lock the door.
- Astragal coordination
- Inertia learn cycle
- ANSI compliant lock kick
- Battery convenience mode
- Obstruction control
- Electronic dampening

### Door Set-ups:



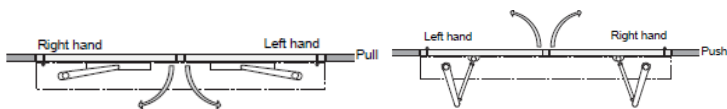
Single

Double

## Operation

- Push and go feature allowing door to open automatically when operator senses movement of door (ANSI A156.19)
- Power assist open – provides easy to open push forces (ANSI A156.19)
- Internal, push to open, push to close (i.e., ratchet relay)
- Speed controlled Extended Closing Torque (ECT) to provide power assist close with on-board functionality to automatically adjust torque without increasing speed
- Loss of Power: the operator controls the door closing, preventing slamming of door
- Torque Limiting: if positive air pressure condition is removed, operator compensates accordingly and will not slam

## Door Operator Handings



## Electric Lock Management

- Lock monitoring prevents operator(s) from opening door(s) until release of electrified lock
- Operator pulls door closed before opening, unjamming electric latch hardware
- Sequenced operation between operators for pairs of doors allowing lock release and astragal coordination
- Electric Lock Output: selectable 12 VDC, maximum 1200 mA / 24 VDC, maximum 600 mA

## Aesthetics

- Aesthetically pleasing, low profile appearance: 4-5/16" (109mm) high by 5-1/8" (130mm) deep
- Continuous header for full width of door
- Same header/housing as ASSA ABLOY SW200i for consistent sightlines in your facility
- Finishes: anodized, powder coat, Kynar, clad

## Configurations

- Surface Applied

## Authorities

- UL/CUL approved
- UL Listed Fire Door Operator
- UL325
- IBC and CBC
- ANSI A156.19
- California State Fire Marshall

## Sensor Packages

- Sensor Package as follows:
  - Activation: push plates per your selection
  - Safety devices: not required per ANSI. Optional door mounted presence sensors (DMPS) are available



## Authorities

<b>Operator type</b>	Electro-mechanical
<b>Door width</b>	36" – 48" (914 – 1219mm)
<b>Door weight</b>	100-200lbs
<b>Power supply</b>	120 V AC +10/-15%, 50/60 hz
<b>Power consumption</b>	Max. 230W
<b>Auxiliary voltage</b>	24 V DC, max. 400 mA
<b>Main fuse F1,F2</b>	2 x T 6,3 AH/250 V
<b>Electro-mechanical locking device</b>	Selectable: 12V DC, max.   500 mA or 24 V DC, max. 250 mA
<b>Door opening</b>	Push: 80 – 110° with reveal 0 – 12" (0 – 305mm) Pull: 80 – 110° with reveal 5/8 - 2" (16 - 51mm)
<b>Opening time (0 – 80o)</b>	Variable between 2 – 12 seconds
<b>Closing time (90 – 100o)</b>	Variable between 4 – 12 seconds
<b>Hold open time</b>	1.5-30 seconds
<b>Ambient temperature</b>	-4 °F to +113 °F (-20 °C to +45 °C)
<b>Relative humidity</b>	Max. 85%
<b>Drive weight unit</b>	7.1 kg
<b>Class of protection</b>	IP 20.
<b>Complies with:</b>	IEC 335-1, ANSI/BHMA A156.19 and UL 325