

7500 SERIES ELECTRIC STRIKES

7501/7505 Models - Fire Rated

INSTALLATION INSTRUCTIONS Please read carefully before attempting installation.

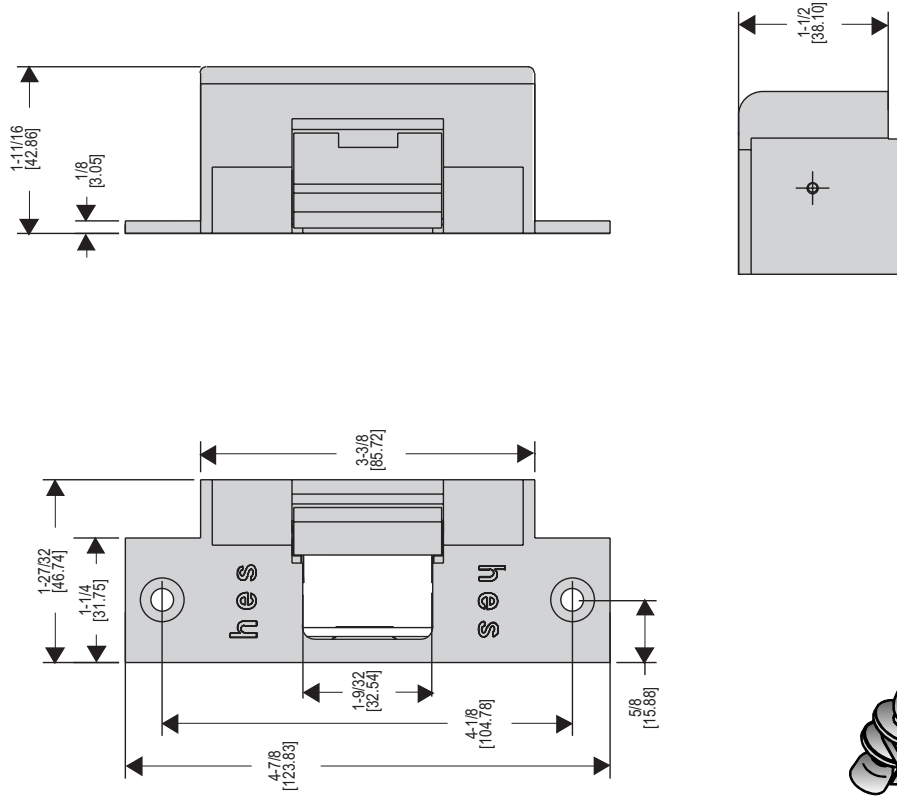
DIMENSIONS:
INCH
[MM]

Hanchett Entry Systems, Inc.
2040 West Quail Ave.
Phoenix, AZ 85027
www.hesinnovations.com

Technical Service Dept. Helpline 800-626-7590 623-582-4626

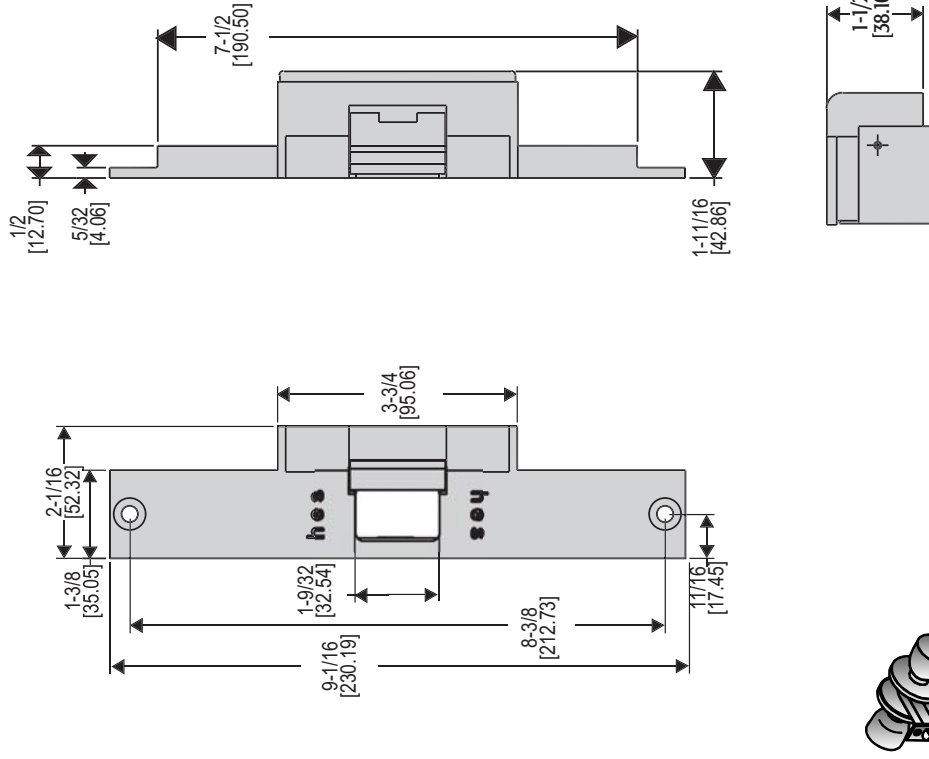


MODEL 7501 FIRE RATED MODULAR ELECTRIC STRIKE



- U.L. and U.L.C. Listed for fire door accessory, category 10B (file #843X), for use with 3 hour "A" labeled doors.
- U.L. Listed for burglary resistance, category 1034 (file #51WK).

MODEL 7505 FIRE RATED MODULAR ELECTRIC STRIKE

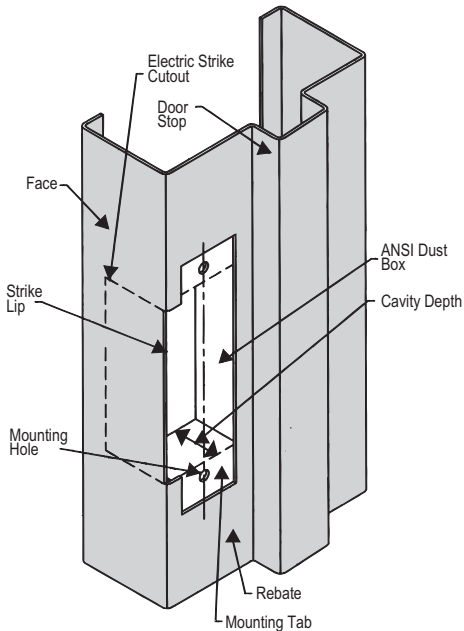


- U.L. and U.L.C. Listed for fire door accessory, category 10B (file #843X), for use with 3 hour "A" labeled doors.
- U.L. Listed for burglary resistance, category 1034 (file #51WK).

NOTE: Drawings are not to scale. This information is subject to change without notice. For questions, consult HES technical service helpline, 800-626-7590.

7500 Series Installation Instructions

FIG. 1
DOOR JAMB DESCRIPTION



INSTALLATION INSTRUCTIONS

1. Prepare door jamb per appropriate template detail.
2. Install mounting tabs using #10 x 32 screws (when applicable). Do not tighten.
3. Unplug wire pigtail from electric strike.
4. Connect wires coming from the low voltage power source (see wiring diagrams and electrical specifications) to the electric strike pigtail.
5. Re-connect the pigtail to the electric strike.
6. Install electric strike and option face plate to jamb, using 12–24 machine screws or wood screws provided in the option package.
7. Secure 10 x 32 screws holding mounting tabs (when applicable).

NOTE 1: It is important to allow enough space behind the electric strike in the jamb cut-out for the wires. Bunching the wires may prevent the unit from operating properly.

NOTE 2: HES offers a universal Metal Template Kit to simplify the installation procedure. Order model 154-MTK.

FIG. 2
MODEL 7501
JAMB INSTALLATION

INCH [MM]

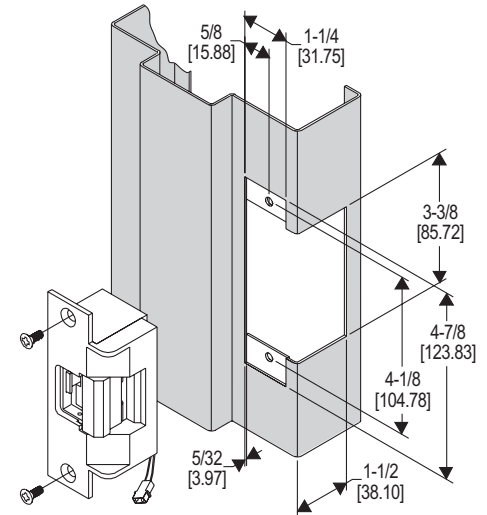


FIG. 3
MODEL 7505
JAMB INSTALLATION

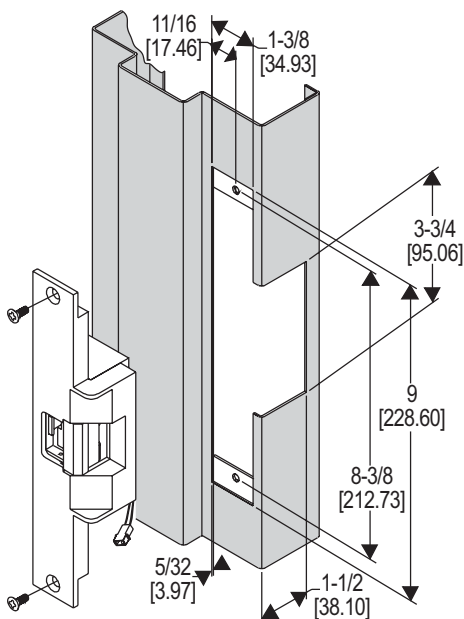
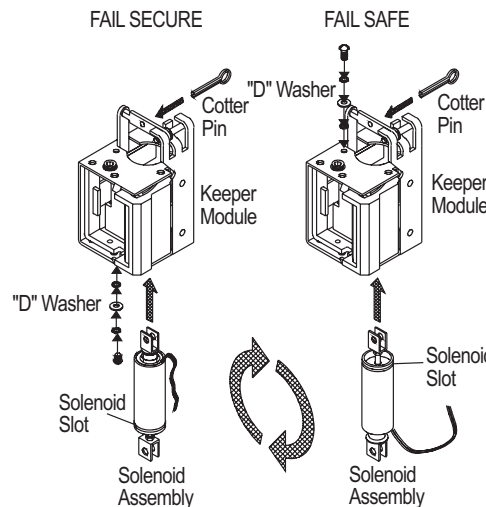


FIG. 4
FIELD REVERSIBLE
CONVERTING BETWEEN FAIL SAFE AND FAIL SECURE



1. Remove 2 screws and remove keeper module from housing.
2. Note how the mounting screw, washers, and cotter pin hold the solenoid in position.
3. Straighten the two legs and remove the cotter pin from the solenoid linkage.
4. Remove the mounting screws and washers.
5. Carefully pull the solenoid assembly out of the keeper module.
6. Turn the solenoid assembly, end-over-end, and reinsert it back into the keeper module.

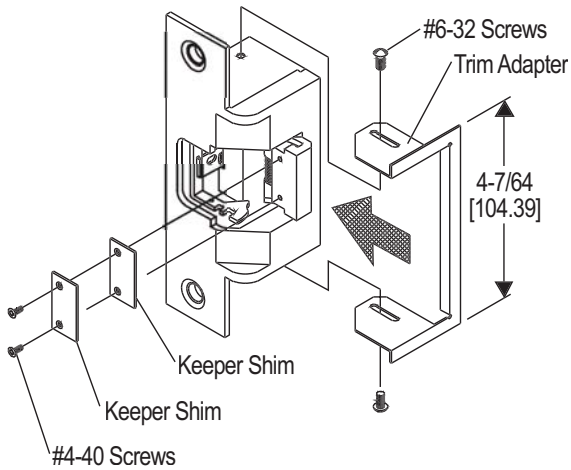
7. Reinstall the mounting screw and washers (at the opposite end from which they were originally installed). Make certain that the "D" washer is positioned firmly into the solenoid slot as noted on the illustration.

8. Replace the cotter pin, spreading the two legs, securing the solenoid linkage.

WARNING: THIS UNIT IS LISTED BY U.L. AS AN ELECTRIC STRIKE FOR FIRE DOORS (10C) AS A FAIL SECURE DEVICE ONLY. ANY MODIFICATION OF THIS DEVICE TO MAKE IT FAIL SAFE WILL VOID ALL U.L. FIRE DOOR LISTINGS AND WILL THEREFORE REQUIRE REMOVAL OF ALL U.L. LABELS AND REFERENCES FROM THE DEVICE.

7500 Series Installation Instructions

**FIG. 5 MODEL 7501
ACCESSORIES INSTALLATION**

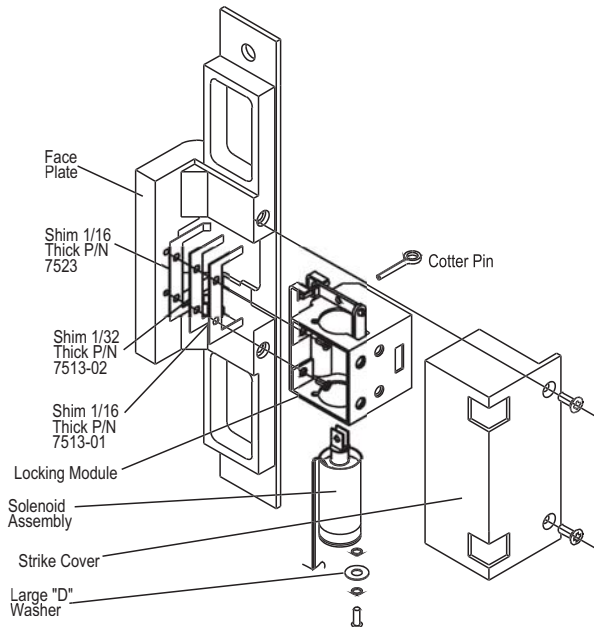


1. It will be necessary to remove the strike from the jamb to install the Trim Adapter. Be careful not to shear the strike wires at any time. Also, it should NOT be necessary to bend the Trim Adapter for proper installation.
2. Align the Trim Adapter as shown, and carefully fit the Trim Adapter around the strike. The two sides of the Trim Adapter should fit around the outside of the strike.
3. Slide the Trim Adapter to bring the face into position.
4. Fasten the Trim Adapter in place using the #6-32 screws provided.
5. Before reinstalling the strike into the jamb, it may be necessary to enlarge the opening to accommodate the added thickness of the Trim Adapter.
6. Reinstall the electric strike into the jamb. It may be necessary to adjust the Trim Adapter. To do this, simply remove the electric strike from the jamb and loosen the #6-32 screws to make the adjustment.

NOTE 1: For proper installation it is necessary to determine the number of keeper shims, if any.

NOTE 2: Unlock the electric strike, align the keeper shim as shown and fasten to the keeper using the #4-40 screws provided.

**FIG. 6 MODEL 7505
ACCESSORIES INSTALLATION
5/32 BACKSET SHOWN**



1. Remove strike cover by removing two 6-32 flat head screws as shown.
2. Remove solenoid from module by removing locking screw, washers, and cotter pin as shown.
3. Remove locking module from cast housing by removing two 4-40 screws. Retain all hardware.
4. Add any combination of 1/16" and 1/32" thick shims to provide the required backset distance. (See backset configuration chart.)
5. Reassemble electric strike.

| Backset Configuration Chart | | | |
|-----------------------------|---------------------|---------------------|--------------|
| Backset Distance | Quantity 1/32" Shim | Quantity 1/16" Shim | Screw Length |
| 1/32" | 1 | NONE | 3/8" |
| 1/16" | NONE | 1 | 3/8" |
| 3/32" | 1 | 1 | 3/8" |
| 1/8" | NONE | 2 | 3/8" |
| 5/32" | 1 | 2 | 1/2" |

Wiring Diagrams and Electrical Specifications

CAUTION! Before connecting any device at the installation site, verify input voltage and current using a multimeter. Many power supplies and transformers operate at higher levels than listed. Any input voltage exceeding 5% of the solenoid rating may cause severe damage to the unit and will void the warranty.

Strikes requiring 12VDC have black leads; 24VDC have blue leads. (Note that the leads are protected with a plastic sleeve which may or may not match the lead colors.)

GENERAL INFORMATION:

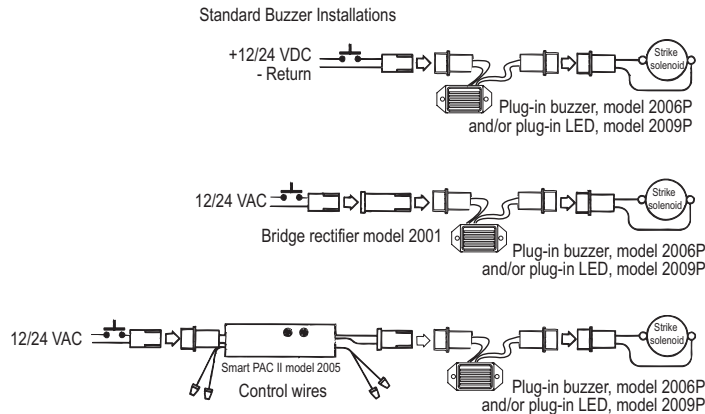
1. All HES, Inc. electric strikes are equipped with either a 12VDC or 24VDC solenoid, which provides silent operation. These units are not designed for direct AC operation.
2. Operation with an AC power supply can be accommodated through the incorporation of the Model 2001 Bridge Rectifier. This full wave bridge rectifier simply plugs between the connector provided from the Electric Strike and the power supply.
3. Other input voltages can be accommodated by using the Model 2005 Smart-Pac™ II Line Controller. This unit also plugs directly into the circuit and allows additional control of optional features. The Smart-Pac™ II includes a built-in full wave bridge rectifier.
4. The Model 2006P Buzzer provides audible indication of strike operation (ordered separately).

5. The Model 2009P LED provides visual indication of the strike operation (ordered separately).
6. All of the above features may be used together, although the Model 2001 bridge rectifier is not required with the Model 2005 Smart-Pac™ II.

OPERATION:

1. FAIL SECURE: When power is supplied to the strike the plunger is retracted and the unit is unlocked. If power fails, the strike is locked and the door is secured.
2. FAIL SAFE: When power is supplied to the strike, the plunger is extended and the unit is locked. If power fails, the strike is unlocked, and door is safe (unlocked) for exit.
3. Field reversible - fail secure/fail safe

TYPICAL PLUG-IN DETAILS:



- U.L. listed for burglary resistance, category 1034
- U.L. listed for fire door accessory, category 10C, for use with 3 hour "A" labeled doors.
- Patent #4,017,107 #4,026,589
#4,595,220 #4,626,010
#4,669,766 #5,484,180

| ELECTRICAL RATINGS FOR SOLENOID | Continuous Duty | |
|---------------------------------|-----------------|--------|
| | 24 VDC | 12 VDC |
| Resistance in Ohms | 96 | 26.7 |
| Watts Seated | 6 | 4.5 |
| Amps Seated | .25 | .45 |

Solenoids are rated at +/- 5% indicated value

| MINIMUM WIRE GAUGE REQUIREMENTS | Solenoid Voltage | |
|---------------------------------|------------------|----------|
| | 24 VDC | 12 VDC |
| 200 feet or less | 18 gauge | 14 gauge |
| 200 - 300 feet | 18 gauge | 12 gauge |
| 300 - 400 feet | 16 gauge | 12 gauge |

FIVE YEAR LIMITED WARRANTY

For any questions regarding this information, call our Technical Service Line at 800-626-7590

2005 SMART-Pac™ II In-line power controller

The SMART-Pac™ II is a small in-line power controller that enables the electric strike to operate with a variety of voltages, from 12 to 32 volts, AC or DC, while utilizing only one solenoid. The SMART-Pac™ II provides electronic regulated current for continuous duty operation without the normal heat build up. It includes an adjustable minimum activation timer which can be set from 2 to 8 seconds, or deactivated. The timer can be activated in both fail secure and fail safe operations. This device has been designed with on board safety features, including an in-line fuse to protect the strike and an M.O.V. to protect the host system from any possible reverse current surges. By including the 2005 with the HES Electric Strike, it truly becomes a SMART-STRIKE™.

The SMART-Pac™ II will improve the performance of the 7500 Series Electric Strike. By including the 2005 the five year warranty of the 7500 Series will be extended to cover the Solenoid and the SMART-Pac™ II. (See product warranty for further information)

